



CAMLOCK
SYSTEMS

PRODUCT SPECIFICATION

Series 31 Cam Lock

SERIES 31

ZINC ALLOY CAM LOCK WITH A 10 DISC TUMBLER MECHANISM.



OVERVIEW

Robust flat key lock with heavy duty keys

Designed for lockers and cabinets requiring minimal security but high volume operation, the Series 31 and it's keys are able to withstand heavy use.

Available in 20mm body length only. A wide range of compatible cams are available. Special cams subject to order quantity.

Product features

- o Allows for both key retained and non-retained operation
- o Positive-click locking action safely secures cam when open
- o Heavy duty keys for repeated use
- o Special cams available to order subject to quantity
- o Master key available on request

TECHNICAL DATA

| | |
|------------------------|---------------------------------------------------------------------------------------|
| Number of key differs | 5,000 |
| Mechanism | Disc tumbler |
| Body material | Zinc alloy |
| Finish | Bright chrome plating |
| Patent protection | No |
| Key registration | Yes |
| Master keying | Yes |
| Key suite options | Keyed alike and keyed to differ |
| Body length | 20mm |
| Fixing hole dimensions | Standard 19mm x 16mm 'double D' punch |
| Lock fixing | Brass body nut or horseshoe clip |
| Key operations | 90° turn with free key in locked position, or 180 ° free key when locked or unlocked. |

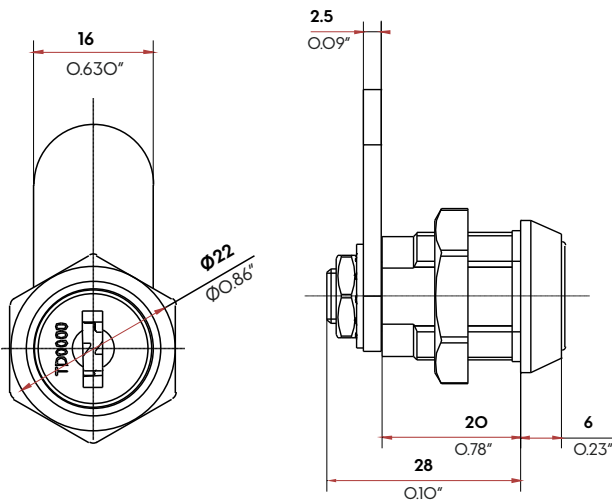
**SMARTER
LOCKING**



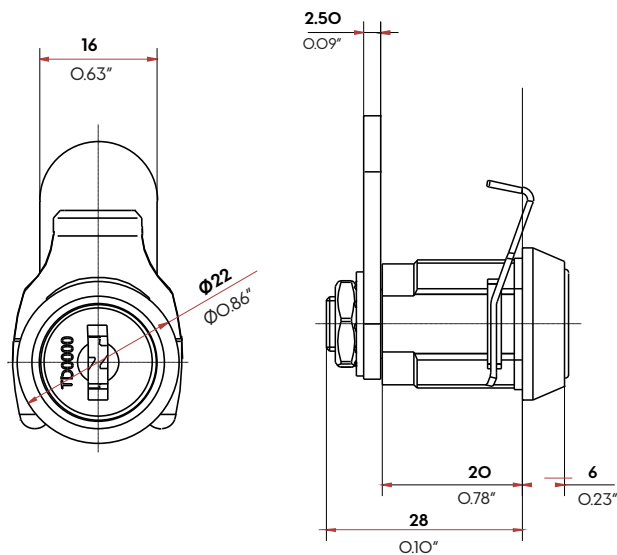
TECHNICAL DRAWINGS

ADDITIONAL PRODUCT IMAGES

Shown with body nut



Shown with horseshoe clip

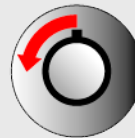


KEY OPERATIONS



Key movement: 1

Key starting position: 12 o'clock
Key rotation: 90°
Key ending position: 3 o'clock
Key when unlocked: Trapped



Key movement: 2

Key starting position: 12 o'clock
Key rotation: 90°
Key ending position: 9 o'clock
Key when unlocked: Trapped



Key movement: 5

Key starting position: 12 o'clock
Key rotation: 180°
Key ending position: 6 o'clock
Key when unlocked: Free