



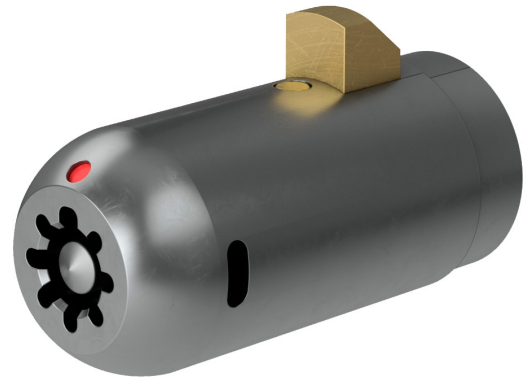
CAMLOCK
SYSTEMS

PRODUCT SPECIFICATION

Series 63 Locking Insert

SERIES 63

**BRASS CYLINDER INSERT HOUSING
OUR FLAGSHIP, PATENTED AXIAL
PIN TUMBLER MECHANISM.**



OVERVIEW

Anti-manipulation, key control, high security.

Camlock's flagship AXIAL Pin Tumbler mechanism utilised a series of single, flag-shaped pins that cannot be bumped into place. A set of protective, anti-manipulation features also surround the core for further reinforcement. **The Series 63 is also available as a Cam Lock. Compatible with our range of locking hardware.**

Product features

- o Stainless steel anti-drill pillar to deflect drilling
- o No shear line = bump resistant
- o Ideal for superior key control. Can cross suite with Series 65
- o Housed in a high-quality brass shell
- o Red indicator for accurate key entry alignment

TECHNICAL DATA

Number of key differs	over 5.7 million
Protective features	Stainless steel anti-drill pillar, anti-pick features
Mechanism	Axial Pin Tumbler
Body material	Brass
Finish	Satin chrome plated
Patent protection	Yes
Key registration	Yes
Cross suiting (within the Axial family)	Yes
Key suite options	Keyed alike and keyed to differ
Body length	40.40mm

**SMARTER
LOCKING**

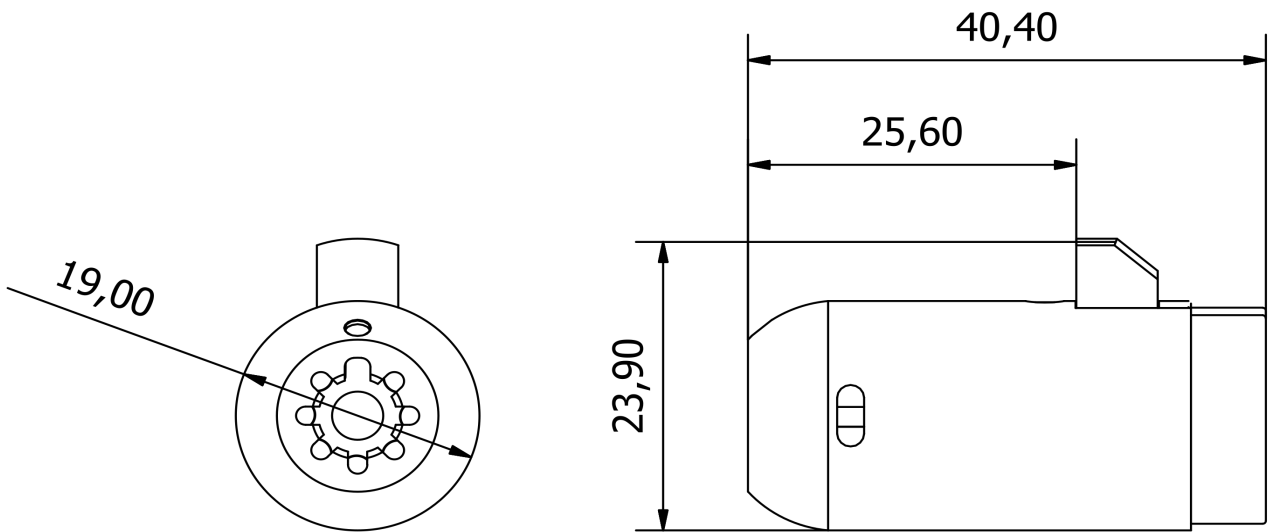


CAMLOCK
SYSTEMS

PRODUCT SPECIFICATION

Series 63 Locking insert

TECHNICAL DRAWINGS



ADDITIONAL PRODUCT IMAGES

