



CAMLOCK
SYSTEMS

PRODUCT SPECIFICATION

Series 4150 Cam Lock

SERIES 4150

**THREE-DIGIT COMBINATION
CAM LOCK. ZINC ALLOY DISC
TUMBLER MECHANISM.**



OVERVIEW

Functional, combination cam lock.

A versatile, keyless cam lock ideally suited for use on indoor cabinets requiring simple locking. The three digit combination is quick and easy to program and reprogramme as and when No tools required. **A wide range of compatible steel cams are available.**

Product features

- Keyless cam lock with three-digit combination
- Easy to use and reprogramme
- Medium manipulation
- Ideal for metal and wooden cabinets requiring simple locking
- Recommended for indoor applications

TECHNICAL DATA

| | |
|------------------------|--|
| Number of key differs | 1,000 |
| Mechanism | Disc tumbler |
| Body material | Zinc alloy |
| Finish | Chrome plated |
| Body length | 18.5mm |
| Fixing hole dimensions | Standard 19mm x 16mm double D punch |
| Lock fixing | Body nut (supplied) |

**SMARTER
LOCKING**

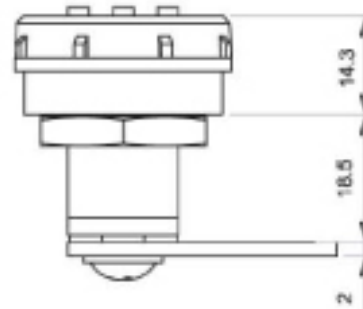
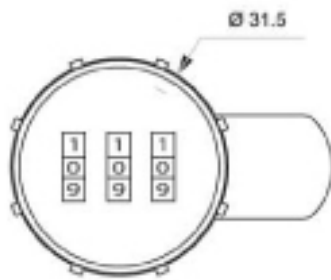


CAMLOCK
SYSTEMS

PRODUCT SPECIFICATION

Series 415O Cam Lock

TECHNICAL DRAWINGS



ADDITIONAL PRODUCT IMAGES

