



**CAMLOCK**  
SYSTEMS

**PRODUCT SPECIFICATION**

Series T48M Locking Insert

# SERIES T48M

**CAMATIC BRASS LOCKING INSERT.  
12 PIN, CHANGEABLE  
OCTAGON MECHANISM.**



## OVERVIEW

### High-security, changeable Locking Insert

The **Series T48M** Locking Insert includes a changeable, 12 pin "camatic" version of our Octagon mechanism. Constructed in brass, it offers excellent durability, key control and is easy for personnel to use. Available in standard and short lengths.

### Product features

- o 12 pin Radial Pin Tumbler
- o Changeable Octagon mechanism with 12 combinations
- o Simple to use: Change indicators on the lock bezel
- o Operator and change keys sold separately

## TECHNICAL DATA

Number of key differs	500,000
Mechanism	Changeable 12 pin Octagon, Radial Pin Tumbler
Body material	Brass
Finish	Polished chrome
Patent protection	No
Key registration	Yes
Master keying	No
Key suite options	Keyed alike
Body length	37.5mm

**SMARTER  
LOCKING**

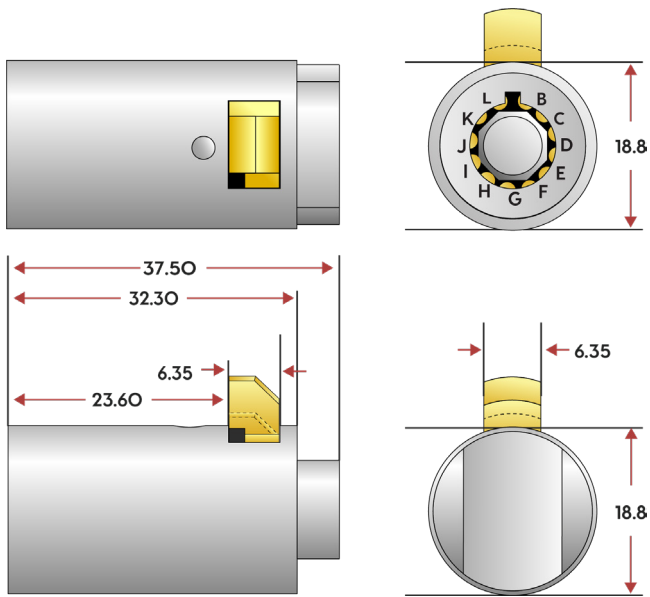


**CAMLOCK**  
SYSTEMS

**PRODUCT SPECIFICATION**

Series T48M Locking Insert

**TECHNICAL DRAWINGS**



**KEY MOVEMENTS**



**Key movement: 1**

Key starting position: 12 o'clock  
Key rotation: 90°  
Key ending position: 3 o'clock  
Key when unlocked: Trapped

**ADDITIONAL PRODUCT IMAGES**

