



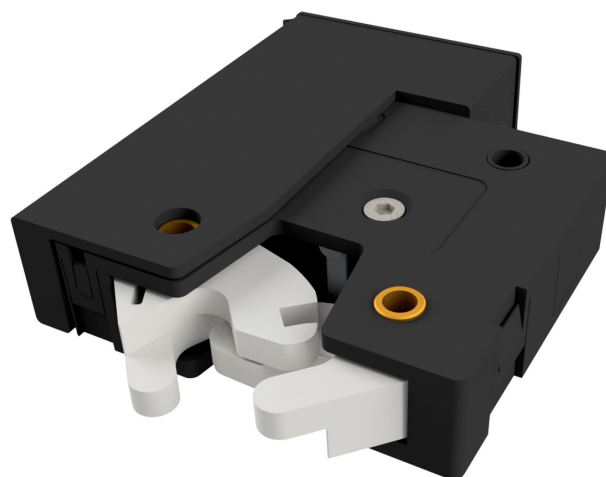
**CAMLOCK**  
SYSTEMS

**PRODUCT SPECIFICATION**

Series 100 Accessory

# MONITORING MODULE

**ADD-ON MONITORING ACCESSORY  
DESIGNED FOR THE SERIES 100**



## OVERVIEW

### Unlock greater functionality and control

This new add-on module, designed specifically for the Series 100, provides additional door monitoring and configurable control functions, such as "auto-relock" to hold the latch in the unlocked position, until in use. The module contains a magnetically-operated reed switch and comes with a magnet housing unit that slides over the existing strike.

### Accessory features

- Screwless terminals for simple installation
- Change-over contacts provide greater monitoring options
- Easy to retrofit onto the Series 100 in the field
- No power required
- Slim streamline body slides over latch using minimal cabinet space
- Adjustable read range to suit any door material

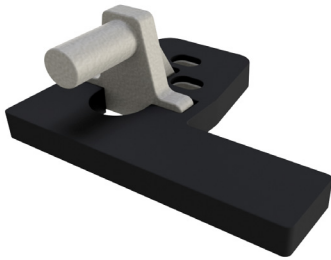
## TECHNICAL DATA

Monitoring contacts	Reed switch, change-over contacts, N/C-C-N/O, Volt free
Contact rating	0.5amp @ 60V ac/dc
Housing material	Polypropylene (PP)
Finish	Smooth black finish
EMC interference testing	Yes
IP rating	IP65
Cycle testing	100,000+ operations
Operating temperatures	-40°C to +65°C
Fixing	Uses existing S100 fixings

**SMARTER  
LOCKING**

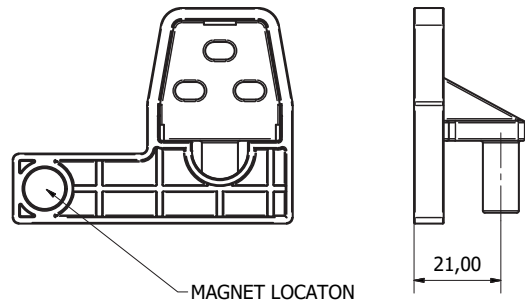


## ADDITIONAL PRODUCT IMAGES



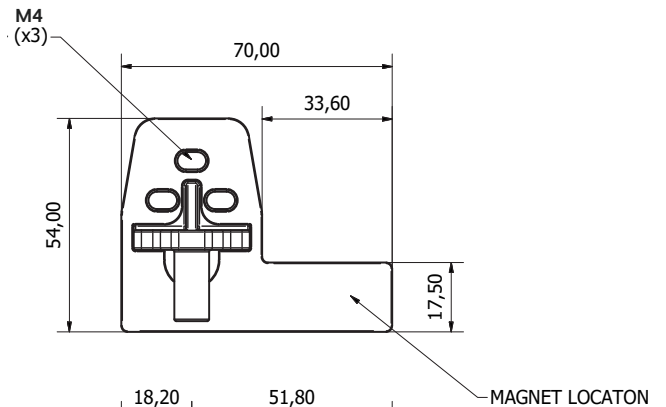
### Magnet housing

Standard magnet housing slides over our compatible strike.



### Alternative magnet

A stand-alone, magnet that screws directly into the door, is available for those using the S100 with an existing strike.



## TECHNICAL DRAWINGS

