



CAMLOCK
SYSTEMS

PRODUCT SPECIFICATION

Series 65 Cam Lock

SERIES 65

**NEW HARDENED STEEL CAM LOCK
HOUSES OUR FLAGSHIP, PATENTED
AXIAL MECHANISM.**



OVERVIEW

Anti-manipulation, key control, high security.

Camlock's flagship AXIAL pin tumbler mechanism utilised a series of single, flag-shaped pins that cannot be bumped into place, alongside a set of anti-manipulation features, an anti-drill pillar, and an additional anti-drill roller to prevent drive-through. **Available in 18mm, 25 and 30mm body lengths. A wide range of compatible cams are available to order in addition to this cylinder.**

Product features

- o Hardened steel anti-drill pillar to deflect drilling
- o Additional anti-drill roller to protect the cam and latch
- o No shear line = bump resistant
- o Ideal for superior key control
- o Can cross suite with Series 63

TECHNICAL DATA

| | |
|---|---------------------------------------|
| Number of key differs | over 5.7 million |
| Protective features | Anti-drill pillar, anti-drill roller |
| Mechanism | Axial Pin Tumbler |
| Body material | Hardened steel |
| Patent protection | Yes |
| Key registration | Yes |
| Cross suiting (within the Axial family) | Yes |
| Master keying | No |
| Key suite options | Keyed alike and keyed to differ |
| Body length | 18mm, 25mm, 30mm |
| Fixing hole dimensions | Standard 19mm x 16mm 'double D' punch |
| Lock fixing | Body nut (supplied) |
| Key operations | Three options available |

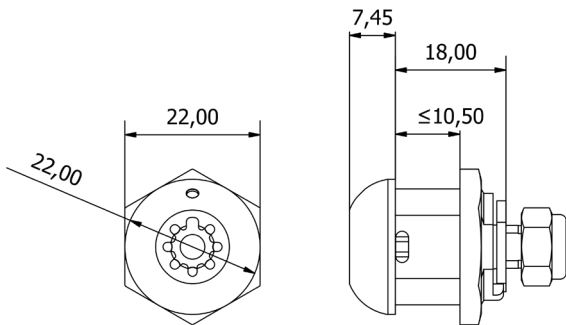
**SMARTER
LOCKING**



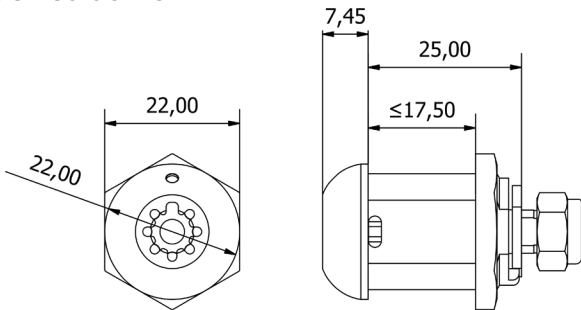
TECHNICAL DRAWINGS

ADDITIONAL PRODUCT IMAGES

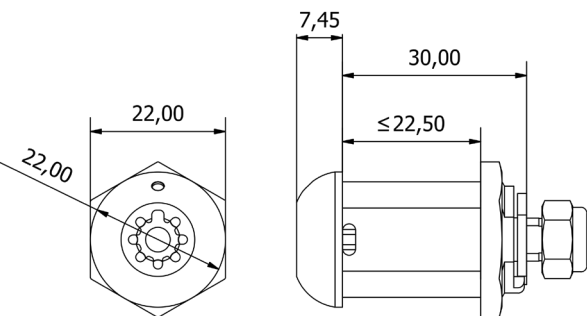
Series 65 18mm



Series 65 25mm

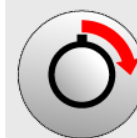


Series 65 30mm



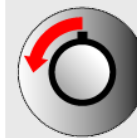
KEY OPERATIONS

Additional free positions (key movements: 3,4,5,6 and 9) available to special order, subject to quantity.



Key movement: 1

Key starting position: 12 o'clock
Key rotation: 90°
Key ending position: 3 o'clock
Key when unlocked: Trapped



Key movement: 2

Key starting position: 12 o'clock
Key rotation: 90°
Key ending position: 9 o'clock
Key when unlocked: Trapped



Key movement: 3 (Subject to MOQ)

Key starting position: 12 o'clock
Key rotation: 90°
Key ending position: 3 o'clock
Key when unlocked: Free